



Next Creation V2 52"

- 9 SPEED REMOTE
- WORKS WITH PIXIE*
- WiFi*
- REVERSIBLE
- 14.5° BLADE PITCH
- 7 YEAR WARRANTY^



NC2151
WHITE
 With white polymer blades
 1320mm (52")



NC2152
MATT BLACK
 With matt black polymer blades
 1320mm (52")

* Works with Pixie or Wifi Modules each sold separately.
 ^Please refer to website for full terms and conditions.

Next Creation V2 52"

Product Range:

NC2151 - White with White Blades
 NC2152 - Matt Black with Matt Black Blades

Features:

- 9 speed remote
- Energy efficient and quiet DC motor
- Summer/Winter reversible via remote
- ABS polymer UV stabilised blades
- Smart home options
- DC wall control option
- 7 Year warranty

Installation Locations:

Coastal, indoor and outdoor locations. The fan is also suitable for installation in a pergola or outside in a sheltered area, protected from wind and rain.

There should be at least 2.1m between the lowest point of the fan blades and the floor.

Warranty:

- 3 year in-home warranty on the motor, excluding cosmetic issues and corrosion (unless reported in the first 3 months).
- 4 year additional Parts Only Warranty on the motor.
- 2 year in-home warranty on all DC electronic components such as DC remote control systems, lighting and Accessory Wall Control.
- 1 year warranty applies when the fan or relevant part is used in any non-domestic applications.

*For full warranty details please see Hunter Pacific International's website www.hunterpacific.com.au

Accessories (Supplied separately):

WIFIM099 - Smart WiFi Module
 PIXIEM098 - HPI Pixie Module
 DCWC2409 - 240V DC Wall Controller (9 speed)

Down Rod 26mm diameter (includes wire loom)

DC2480 - 91cm White Downrod
 DC2481 - 91cm Black Downrod
 DC2490 - 180cm White Downrod
 DC2491 - 180cm Black Downrod

38° Ceiling Kit (for pitched ceilings)

080 - Ceiling Kit White
 083 - Ceiling Kit Black

009 - T-Hook for ceiling roses

Extra Information:

Motor: 156mm x 12mm DC motor
 Made with high grade copper windings and silicone steel stator. Bearings are sealed to ensure quiet operation and long life.

Blades: 1320mm (52")
 Materials: ABS polymer UV stabilised
 Blade Pitch: 14.5°

Weight Including Packaging:

Complete fan: 7.7kg

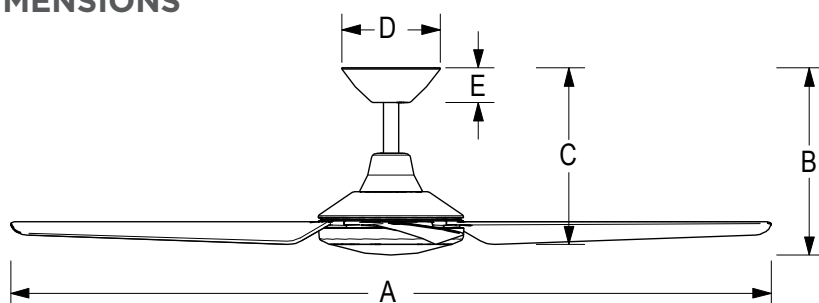
Packaging Dimensions (cm):

Complete Fan: 61.7L x 28.2W x 31.5H

	Speed 1	Speed 2	Speed 3	Speed 4	Speed 5	Speed 6	Speed 7	Speed 8	Speed 9
RPMS	86	103	139	160	170	178	188	196	202
WATTS	2.9	4.6	9.7	12.3	15.6	17.5	21.5	23.4	25.9
AIRFLOW (CMH)	4175	4683	8973	10000	10853	11675	12084	13151	14315

* CMH = Cubic Meters per Hour

DIMENSIONS



A	1320mm
B	310mm
C	300mm
D	168mm
E	60mm