



# Typhoon Mach 3 White

## 48"/52"/56"

3 SPEED  
WALL  
CONTROL

LIGHT  
ADAPTABLE

REMOTE  
ADAPTABLE

REVERSIBLE

19°  
BLADE  
PITCH

7 YEAR  
WARRANTY



### WHITE

With white blades

A3400 - 1220mm (48")

A3410 - 1320mm (52")

A3420 - 1420mm (56")

^Please refer to website terms & conditions

# Typhoon Mach 3 White 48"/52"/56"

## Product Range:

White with White Blades  
 A3400 - 1220mm (48")  
 A3410 - 1320mm (52")  
 A3420 - 1420mm (56")

## Features:

- 3 Speed wall controller
- Summer/Winter reversible via switch on motor
- Light Adaptable
- Remote Adaptable
- Suitable for pitched ceilings up to 32°
- 7 Year warranty

## Installation Locations:

White: Indoor Only  
 316 Stainless Steel: Indoor, coastal and outdoor undercover (provided the fan is fully undercover).

## Wall Controller Speed Capacitor Values:

2.5µF & 4.5µF

## Warranty:

- 3 year in-home warranty on the motor, excluding cosmetic issues and corrosion (unless reported in the first 3 months).
- 4 year additional Parts Only Warranty on the motor.
- All non-integrated HPI light kits and AC remote control systems are separately purchased accessories for AC ceiling fans, and as such are covered by our accessory parts warranty.
- 1 year warranty applies when the fan or relevant part is used in any non-domestic applications.

\*For full warranty details please see Hunter Pacific International's website [www.hunterpacific.com.au](http://www.hunterpacific.com.au)

## Accessories (Supplied separately):

### Down Rod 21mm diameter (includes wire loom)

050 - 91cm White Downrod  
 060 - 180cm White Downrod  
 009 - T-Hook for ceiling roses

### AC Remote Control Units

A2002 - Konetik (3 speed - non dimming AC remote)  
 A2003 - Logic (4 speed - dimming AC remote)

### Light Kit (lamps not included)

A3480 - Eclipse White 2 x E27 light

### Zellweger Ripple Tone Filter Unit

007 ZF-1050 Notch Filter Noise Suppressor  
 008 ZF-750 Notch Filter Noise Suppressor

### W06-018 Wall Mech & Knob Only

W06-028 Start Run Capacitor 2.2uF

## Extra Information:

**Motor:** 194mm x 14mm motor 16 Pole  
 Made with the highest grade copper windings and silicone steel stator. Bearings are sealed to ensure quiet operation and long life.

### Blades:

1220mm (48"), 1320mm (52"), 1420mm (56")  
 Materials: 316 Stainless Steel or White Aluminium painted blades  
 Blade Pitch: 19°

## Packaging Dimensions (cm):

Complete fan:  
 (48"): 62L x 23W x 27H  
 (52"): 62L x 23W x 27H  
 (56"): 71L x 23W x 27H

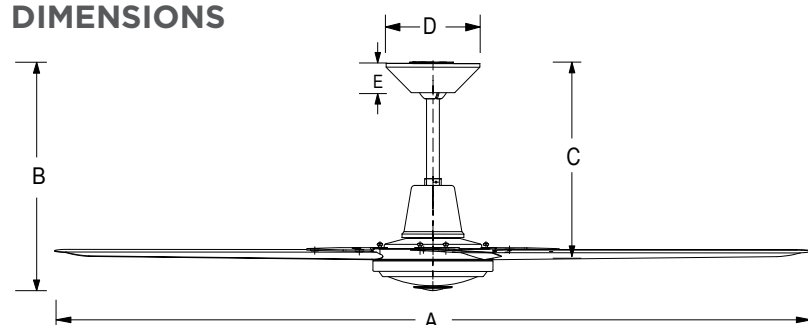
## Weight Including Packaging:

Complete fan: 8kg (48" & 52") / 9kg (56")

	1220mm (48")			1320mm (52")			1420mm (56")		
	LOW	MEDIUM	HIGH	LOW	MEDIUM	HIGH	LOW	MEDIUM	HIGH
RPMS	102	189	258	98	154	208	94	164	220
WATTS	14.0	29.9	64.1	14.0	30.0	64.0	18.0	34.0	72.8
AIRFLOW (CMH)	5627	8948	13824	7239	11137	16345	7941	12498	18512

\* CMH = Cubic Meters per Hour

## DIMENSIONS



	1220mm (48")	1320mm (52")	1420mm (56")
A	1220mm	1320mm	1420mm
B	370mm	370mm	370mm
C	320mm	320mm	320mm
D	153mm	153mm	153mm
E	48mm	48mm	48mm