



Concept 52" with 2xE27 Light

- 3 SPEED WALL CONTROL
- REMOTE ADAPTABLE
- REVERSIBLE
- 11° BLADE PITCH
- 7 YEAR WARRANTY



CL503
WHITE
With white blades
1320mm (52")

^Please refer to website terms & conditions

Concept 52" with 2xE27 Light

Product Range:

CL503 - White with White Blades

Features:

- 3 Speed wall controller (mechanical only)
- Summer/Winter reversible via switch on motor
- Polymer tapered blades
- Remote Adaptable
- Suitable for pitched ceilings up to 28°
- Acrylic diffuser
- 7 Year warranty

Installation Locations:

Indoor, coastal and outdoor undercover (provided the fan is fully undercover). Also suitable for installation in a pergola or outside in a sheltered area, protected from wind and rain.

There should be at least 2.1m between the lowest point of the fan blades and the floor.

Wall Controller Speed Capacitor Values:

3.5µF & 2µF

Light Fitting:

2x E27 lamp holders (bulbs not included)

Warranty:

- 3 year in-home warranty on the motor, excluding cosmetic issues and corrosion (unless reported in the first 3 months).
- 4 year additional Parts Only Warranty on the motor.
- All non-integrated HPI light kits and AC remote control systems are separately purchased accessories for AC ceiling fans, and as such are covered by our accessory parts warranty.
- 1 year warranty applies when the fan or relevant part is used in any non-domestic applications.

*For full warranty details please see Hunter Pacific International's website www.hunterpacific.com.au

Accessories (Supplied separately):

Down Rod 26mm diameter (includes wire loom)

- 010 - 91cm White Downrod
- 020 - 180cm White Downrod

38° Ceiling Kit (for pitched ceilings)

- 080 - Ceiling Kit White

- 009 - T-Hook for ceiling roses

AC Remote Control Units

- A2002 - Konetik (3 speed - non dimming AC remote)
- A2003 - Logic (4 speed - dimming AC remote)

Zellweger Ripple Tone Filter Unit

- 007 - ZF-1050 Notch Filter Noise Suppressor
- 008 - ZF-750 Notch Filter Noise Suppressor

- W06-015 Capacitor 2 & 3.5µF
- W06-018 Wall Mech & Knob Only
- W06-023 Start Run Cap 1.8µF
- W06-026 Wall Mech & Capacitor 2 & 3.5µF

Extra Information:

Motor: 153mm x 15mm 16 Poles AC motor
Made with high grade copper windings and silicone steel stator. Bearings are sealed to ensure quiet operation and long life.

Blades: 1320mm (52")

Materials: Polymer

Blade Pitch: 11°

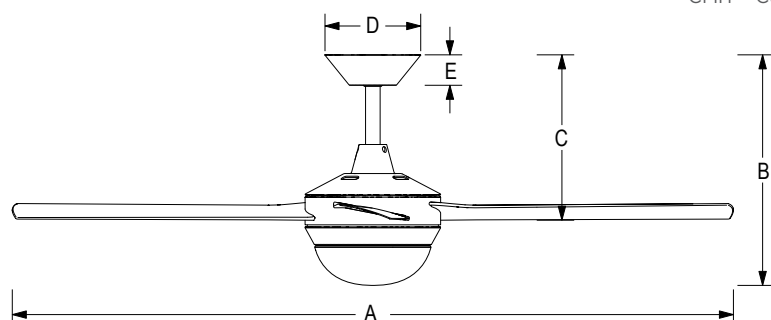
Weight Including Packaging:

Complete fan: 8.5 kg

Packaging Dimensions (cm):

Complete Fan: 61.7L x 28.2W x 31.5H

DIMENSIONS



	Low	Medium	High
RPMS	84	121	192
WATTS	12.5	26	62
AIRFLOW (CMH)	4986	6987	14096

*CMH = Cubic Meters per Hour

A	1320mm
B	432mm
C	302mm
D	173mm
E	56mm